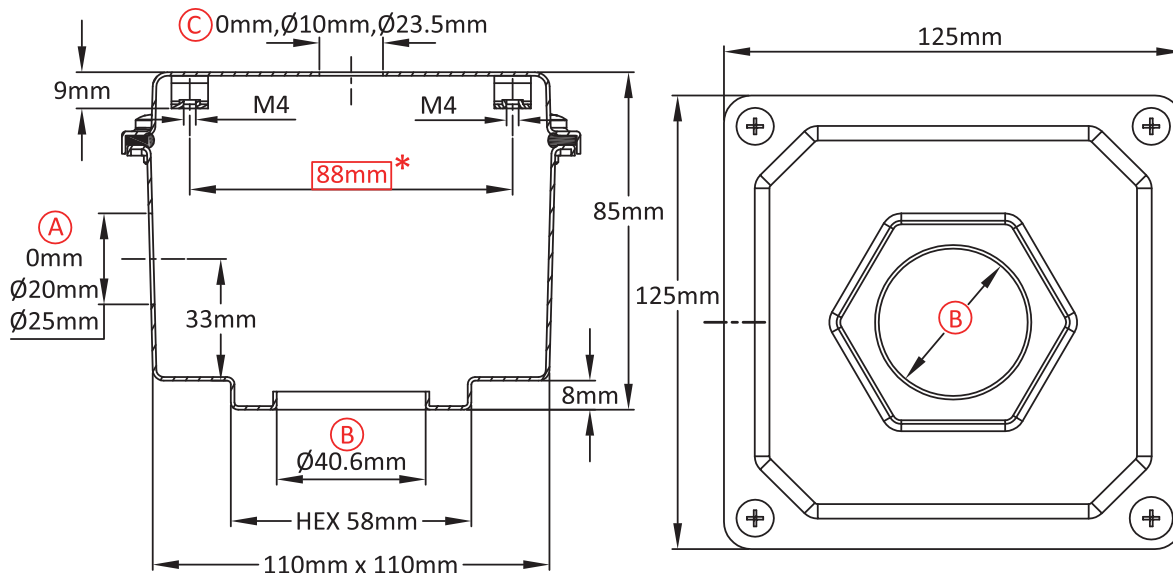


Big immersion heater enclosure, with flat cover and stamped hexagon

Size(mm)	Volume(cm ³)	Material	Protection grade		Model
125 × 125 × 93	1000	stainless steel	IP69K	IK7	Y3SB

Suitable for




- Temperature sensor
- Immersion heater
- Finned heater
- Thermostat
- Level sensor
- Electronic board



Main references

A(mm)	B(mm)	C(mm)	304	316
0	40.6	0	Y3SB4060000G1008	Y3SB4060000G1009
0	40.6	10	Y3SB406A000G1008	Y3SB406A000G1009
0	40.6	23.5	Y3SB406D000G1008	Y3SB406D000G1009
20	40.6	0	Y3SB4060120G1008	Y3SB4060120G1009
20	40.6	10	Y3SB406A120G1008	Y3SB406A120G1009
20	40.6	23.5	Y3SB406D120G1008	Y3SB406D120G1009
25	40.6	0	Y3SB4060125G1008	Y3SB4060125G1009
25	40.6	10	Y3SB406A125G1008	Y3SB406A125G1009
25	40.6	23.5	Y3SB406D125G1008	Y3SB406D125G1009

Links

	Page (.pdf)
	Drawing 2D (.dwg)
	Drawing 3D (.stp)

Cable gland not included in these reference, consult us if you want them.

Red dimensions inside rectangular frames are used for accessories assembly.

Because of permanent improvement of our products, drawings, descriptions, features used on these data sheets are for guidance only and can be modified without prior advice

